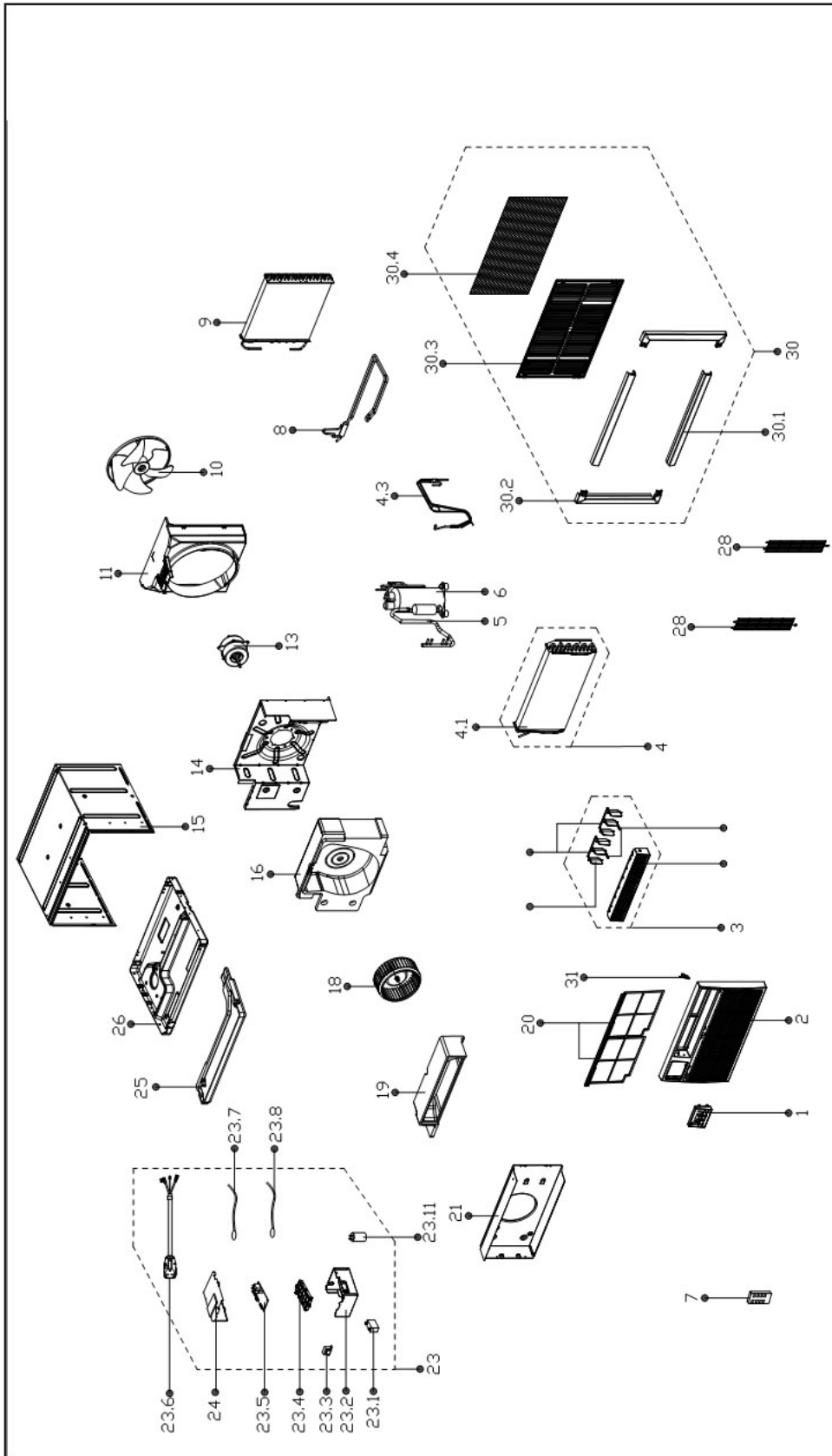




PARTS LIST

Room Air Conditioner with R-410A: BG-123P

EXPLODED VIEW



REPLACEMENT PARTS

Location	Part Name	Quantity	Part No.
1	Display box assembly	1	17220300A04743
2	Front panel	1	12120300A06299
3	Air outlet assembly	1	12120300A06796
4	Evaporator assembly Gas valve assembly	1	15820300001427
4.1	Evaporator	1	15820300000908
4.3	Capillary Assembly	1	15120300001157
5	Parts of compressor exhaust pipe	1	15120300001063
6	Fixed Speed Rotary Compressor	1	11103010002992
7	Remote controller	1	17317000A06156
8	Overcooling pipe assembly	1	15120300003062
9	Condenser Assembly	1	15820300000585
10	Axial fan	1	12100105000053
11	Rear barrier Subassembly	1	12120300000548
13	Single-phase Asynchronous Motor	1	11002012007041
14	Front Boarding assembly	1	12220300000568
15	Housing	1	12220300000788
16	Rear Air Duct Foam	1	12820300000032
18	Centrifugal Fan	1	12100103000063
19	Front Air Duct Foam	1	12820300000075
20	Air filter	1	12120300A06298
21	Electrical Heating and Installing Box Subassembly	1	12220300001094
23	Electronic control box assembly	1	17220300002994
23.1	Capacitor	1	17400101000040
23.2	Electrical Control Box	1	12220300002960
23.3	Linear Transformer	1	11203103001313
23.4	Mounting rack of main control panel	1	12120300003724
23.5	Main control board assembly	1	17120300003005
23.6	Power Supply Cable Subassembly	1	17401202000297
23.7	Temperature Sensor	1	11201007000126
23.8	Room Temperature Sensor	1	11201007000003
23.11	Compressor Capacitor(Round)	1	17400103000055
24	Electrical Control Box Cover-Structure Subassembly	1	12220300001092
25	Water receiver foam	1	12820300000059
26	Chassis Assembly	1	12220300000420
28	Rear Protective Net	1	12220300001103
28	Rear Protective Net	1	12220300001104
30	Installation accessory	1	12020300A01144
30.1	Top and Bottom shutter frame	2	12120300001338
30.2	Left and right frame strip	2	12120300001374
30.3	Air inlet grille	1	12920300000001
30.4	Plastic Rear Guard	1	12120300001299
31	Filter guide block	1	12120300001302

Due to ongoing product improvements, specifications and dimensions are subject to change and correction without notice or incurring obligations. Determining the application and suitability for use of any product is the responsibility of the installer. Additionally, the installer is responsible for verifying dimensional data on the actual product prior to beginning any installation preparations.

Incentive and rebate programs have precise requirements as to product performance and certification. All products meet applicable regulations in effect on date of manufacture; however, certifications are not necessarily granted for the life of a product. Therefore, it is the responsibility of the applicant to determine whether a specific model qualifies for these incentive/rebate programs.

Comfort-Cire[®]

1900 Wellworth Ave., Jackson, MI 49203 • Ph. 517-787-2100 • www.marsdelivers.com

